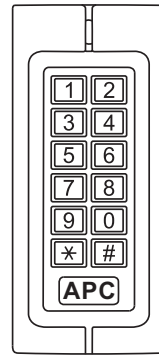


(((APC))) Automation Systems



APC-KP1-C

User Manual

1. Introduction

The APC-KP1-C is an IP 65 rated keypad with a built in card reader access control system. The APC-KP1-C can store up to 2000 Users. It supports three access modes: card, card plus PIN and card or PIN. Other features that are built in such as Anti-vandal, alarm, exit button, safe mode, wiegand input/output, etc.

2. Technical Specifications

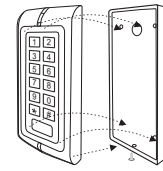
Features	Description
Appearance	Metal case, anti-explosion and anti-tamper
Waterproof	IP65
Input voltage	DC: 12-24V AC: 12-18V
Capacity(max)	2000 Users
PIN	4-8 digits. Not related to the card.
Master card	Add/delete user
As reader	Support Wiegand 26bits, PIN wiegand output is virtual number.
Connect external reader	Can connect any EM/HID/C readers with wiegand 26 output
Connect high power alarm	External current of the alarm ≥3A

3. Installation Procedure

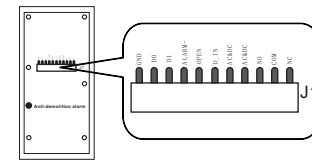
3.1 Installation and Fixation

- 3.1.1 Drill hole on the wall according to the back cover of the keypad.
- 3.1.2 Feed the cable through cable hole and connect to the related cable. For the un-used wires please cut to unequal lengths and insulate with electrical tape.
- 3.1.3 Fix back cover on the post using the supplied screws.
- 3.1.4 After wiring connections are completed fix the keypad front cover to the back cover.

· 01 ·



APC-KP1-C



PCB connect diagram

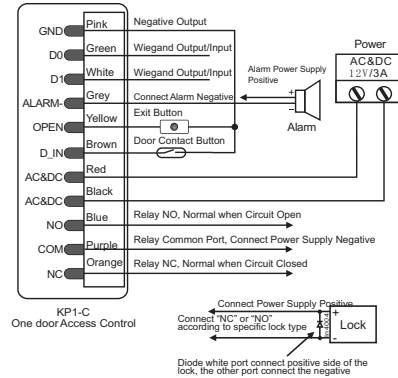
3.2 Wiring

Function	Color	Description
D0	Green	Wiegand 26 output/input
D1	White	Wiegand 26 output/input
ALARM-	Grey	Alarm Negative
OPEN	Yellow	Request to Exit Button
D_IN	Brown	Door Contact
AC&DC	Red	12V AC&DC Regulated Power Input
AC&DC	Black	12V AC&DC Regulated Power Input
NO	Blue	Relay NO
COM	Purple	Relay COM
NC	Orange	Relay NC
GND	Pink	Negative

· 02 ·

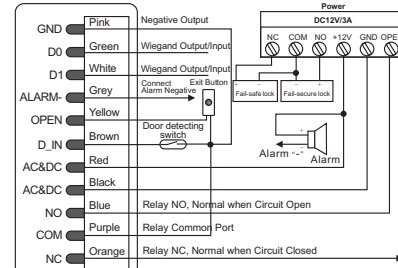
3.3 Connection Diagram

3.3.1 Common power supply



KP1-C
One door Access Control

3.3.2 Special Power Supply



KP1-C
One door Access Control

· 03 ·

4. Administrator Operation

1.To Reset to Factory Default

To reset to factory default, power off, press "*" & hold whilst powering on, release "*" when you hear the two beeps and the LED turns orange. Now the keypad needs to authorize the master add and delete card. Swipe the Master ADD first then the Master DELETE second. Now the LED will turn RED indicating success. If no cards are swiped within 10 seconds it will skip the Master Card Authorization.
Note: Resetting to factory default only resets the Programming Code and Master Cards.

2.Enter into Programming Code:

Press [1] [Master code] [#] 888888 is the default factory master code.
Note: Below 3 to 11 items all operation need in programming mode.

3.Change Master Code:

Press [0] [New code] [#] [New code] [#]
Note: The master code can be any 6 digits, please store this number carefully.

4.To add users

4.1 To add card users automatically.
Press [1] [Read card1] [Read card2]...[#]
The range of ID number is any number between 1-2000.

4.2 To add card users manually

Press [1] [ID number 1#] [read card1] [ID number 2#] [read card2]...[#]
First [#] is to "confirm" and the second [#] is the end of the current settings. Press [*] will exit the current operation.

4.3 To add no-card users

Press [1] [ID number 1#] [PIN 1] [ID number 2#] [PIN 2]...[#]
The PIN of is 4-8 digits any number.(exception of 1234)

· 04 ·

4.4 To add card users synthetically
Press [1] [read card1] [ID number 1#] [read card2] [ID number 2#] [PIN]...[#]

4.5 To add users by manager card
[Manager add card] [Swipe add user card continuously]
[Manager add card]
That is exit add users settings

4.6 To add consecutive card users
Press [5] [ID number #] [8 digits number 1 #] [Card number #].
Mark: The quantity of cards cannot not exceed 2000.The ID number must be continuous vacant number.

5. To delete users

5.1 Auto Delete
Press [2] [Read card1] [Read card2]...[#]

5.2 Manual Delete
Press [2] [ID number]#...[#]

5.3 Synthetical Delete
Press [2] [Read card1] [ID number1#]...[#]

5.4 Delete all users
Press [2] [0000] [#]

5.5 To delete User by Manager Delete Card
[Manager delete card] [Swipe delete user card continuously]
[Manager delete card] That is exit delete users settings

6. Door Open mode settings

6.1 Open by cards:
Press [3] [0] [#]

6.2 Open by cards+PIN
Press [3] [1] [#]

6.2 Open by cards or PIN(Factory default)
Press [3] [2] [#]

7. Door relay time settings

Press [4] [0-99] [#]
Marks: The door relay time is between 0-99 seconds, the factory default setting is 5 seconds.

· 05 ·

8. Door open detection settings

8.1 To disable door open detection. (Factory default)
Press [6] [0] [#]

8.2 To enable door open detection
Press [6] [1] [#]

8.2.1 When this function is used there are two scenarios: If the door is opened normally but not closed after 1 minute the inside buzzer will beep automatically to remind people to close the door and continue for 1 minute before switching off automatically.

8.2.2 If the door is forced open, the inside buzzer and alarm output will both operate.

9. Security Mode settings

9.1 Normal status:(Factory default)
Press [7] [0] [#]

9.2 Keypad Lockout
Press [7] [1] [#]
If there are 10 invalid cards or 10 incorrect PIN numbers in a 10 minute period either the keypad will lockout for 10 minutes.

9.3 Alarm Output
Press [7] [2] [#]
If there are 10 invalid cards or 10 incorrect PIN numbers in a 10 minute period either the outside buzzer and alarm output will both operate.

10.Alarm output time

Press [9] [1-3] [#]
Factory default is 1 minute

· 06 ·

5. User Settings

1. Cards users change the PIN

[*] [Read Card] [Old PIN] [#] [New PIN] [#] [Repeat New PIN] [#]
Can be 4-8digits.The PIN cannot be changed to "1234"

2. No card users the PIN

[*] [ID number #] [Old PIN] [#] [New PIN] [#] [Repeat New PIN] [#]
Can be 4-8digits.The PIN cannot be changed to "1234"

3. Open door by users card

[Read Card] If it is valid ,the door will open.

4. Open door by PIN

[Users PIN] [#] If the PIN is correct, the door will open.

5. Open door by users card+PIN

[Read Card] [Users PIN] [#]
If the card and PIN is correct, the door will open.

6. To remove the alarm

6.1 The inside buzzer and alarm output will both operate.
[Read valid card] or press [Master Code] [#] to reset the Door Forced Open warning.

6.2 Close the door forced warning
Close the door or [Read valid card] or [Master Code] [#] to reset the Door Forced warning

6. Sound and Light indication

Operation Status	Red Light	Green Light	Buzzer
Stand by	Slow flash	Off	-
Press keypad	-	-	Short Ring
Operation successful	Off	Bright	Ring...
Operation failed	-	-	3 Short Rings
Enter into programming mode	Bright	Off	Ring...
In the programming mode	Bright	Bright	-

· 07 ·

Exit from the programming mode	Slow flash	Off	Ring...
Open the door	Off	Bright	Ring...
Alarm	Quick flash	Off	Alarm

7. Specifications

Operating Voltage	DC:12-24V AC:12-18V
Idle Current	35 ± 5mA
Active Current	< 80mA
Card Reading Distance	3-6 cm
Operating Temperature	-40-60
Lock Output Load	2A
Alarm Output Load	3A

· 08 ·